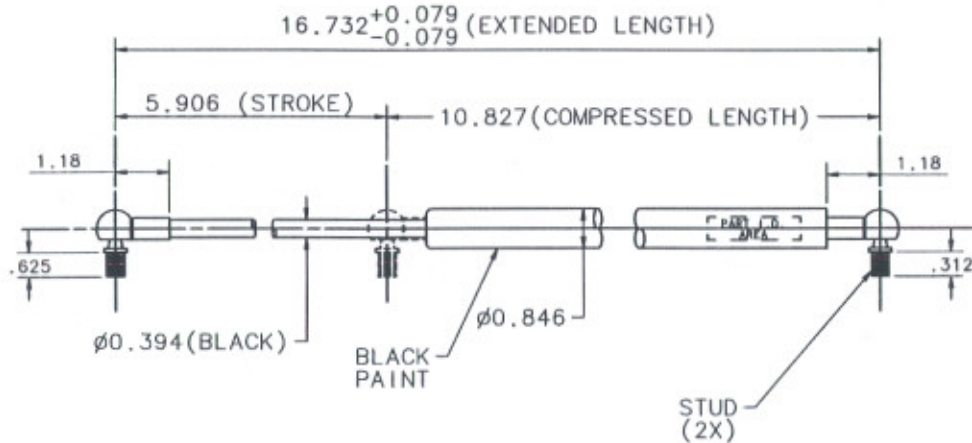


NOTES:

- 1.) BLACK INKED PART I.D. TO READ:  
-AVM MARION, SC  
-P3426  
-DO NOT OPEN HIGH PRESSURE
- 2.) P1 20' - 235#  $\pm 10$   
P2 20' - 308# REF
- 3.) REQUIRES (2) 5/16" 10MM BALL STUDS.
- 4.) EXTENSION TIME - 5 SEC. MAX.

ALTERNATE



NOTES:

- 1.) WHITE INKED PART I.D. TO READ:  
-DO NOT OPEN-HIGH PRESSURE  
-DATE OF MANUFACTURE (YRWK)  
-4160143
- 2.) OIL QUANTITY: 3 cc
- 3.) SUPPLIER WILL SUPPLY AND ATTACH ONE OF THEIR P/N HS-130 13MM BALL STUDS, ONE OF THEIR P/N HS-130.312U 13MM BALL STUDS, AND TWO GS13MMC RETAINING CLIPS PER GAS SPRING.
- 4.) P1 - 235#  $\pm 10^*$   
P2 - 308# REF.
- 5.) SUSPA MODEL # 16-4-215-150-A11-B11-1045 N  
STABILUS MODEL # 8322VZ 1000N

34160143