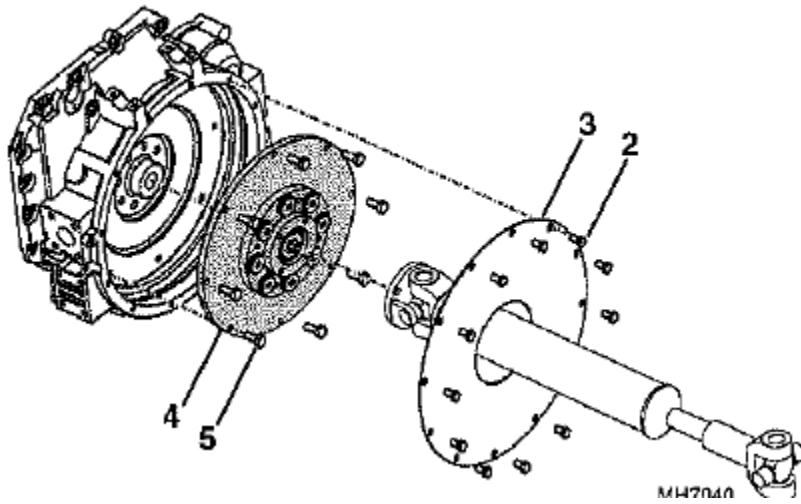


If replacing P/N's 7302028 or 1001127784 verify that the machine has the new style isolation coupler installed, if not order kit P/N 1001180244 along with the drive shaft.

Original Style Coupling



New Isolation Coupling

