

Replacement Instructions for 7027376 HONDA Carburetor Assembly

JLG supplement: 3128938

November, 2004

For the carburetor, reference #16 and #19 are **removed** (not used) for the JLG application. Honda part #16590-ZE2-812 (Remote Choke Assembly) is [↩] **added** to the JLG application. An illustration is included on the following page.

NOTE: If a new carburetor is needed, the following procedure must be followed for the JLG application.

To make the Choke Actuator function freely, the choke detent must be removed from a new carburetor.

To accomplish this:

1. Remove the choke set (reference #9) from the carburetor by carefully opening the slot in the choke shaft enough to remove the choke plate and pull the shaft out the top.
2. Carefully file or grind the choke detent away.
3. Replace the choke shaft and choke plate.

This illustration was taken from the engine Owners Manual that is provided with each engine. Most importantly would be the bottom row of drawings.

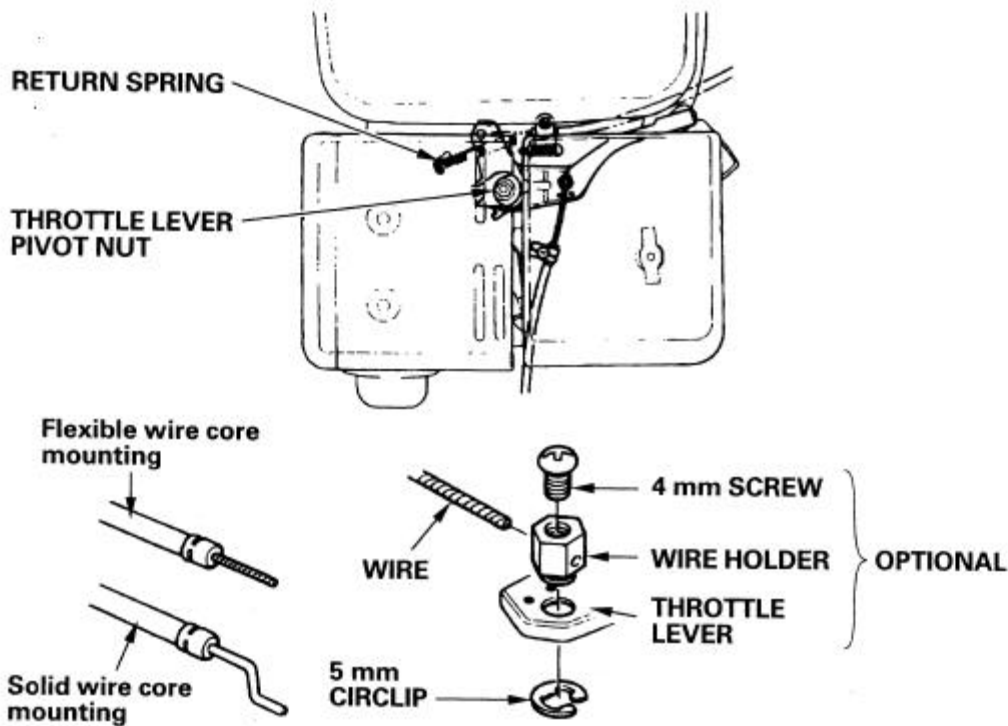
TECHNICAL & CONSUMER INFORMATION

Remote Control Linkage

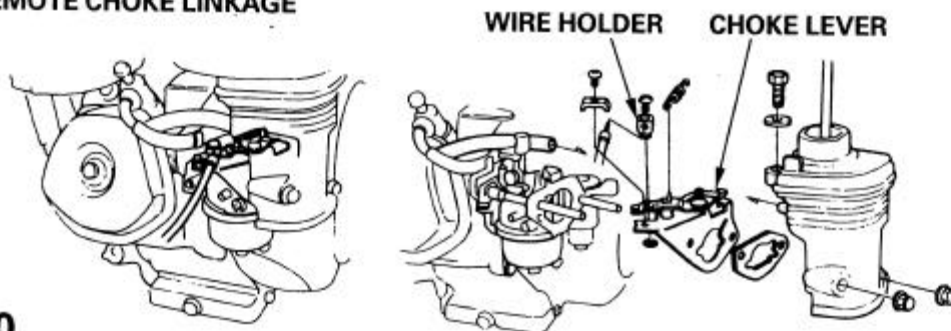
The throttle and choke control levers are provided with holes for optional cable attachment. The following illustrations show installation examples for a solid wire cable and for a flexible, braided wire cable. If using a flexible, braided wire cable, add a return spring as shown.

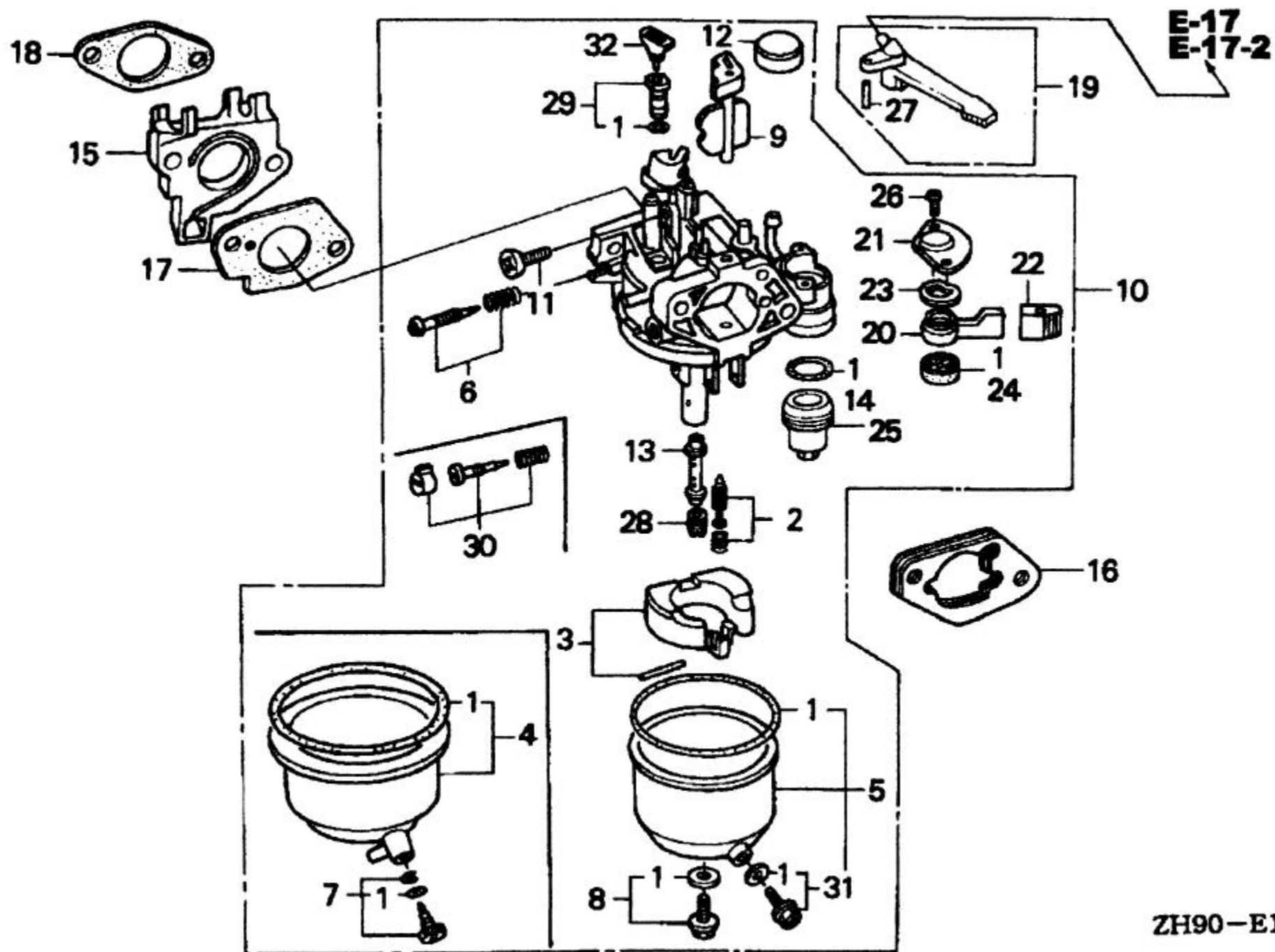
It is necessary to loosen the throttle lever friction nut when operating the throttle with a remote-mounted control.

REMOTE THROTTLE LINKAGE



REMOTE CHOKE LINKAGE





ZH90-E1400A