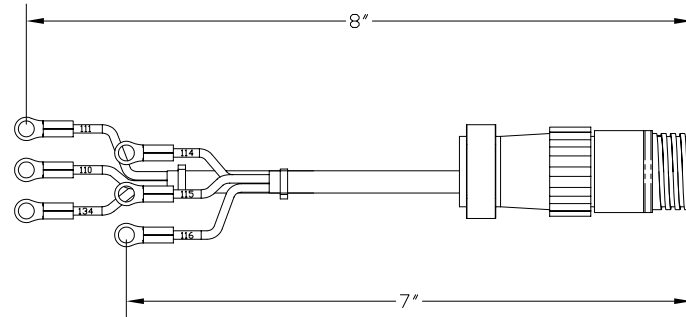
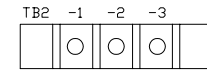
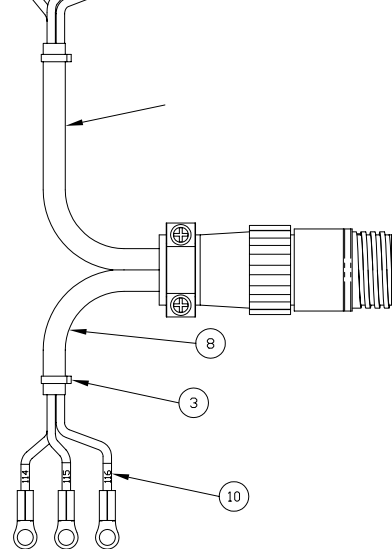
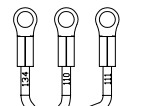
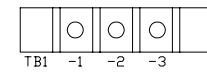
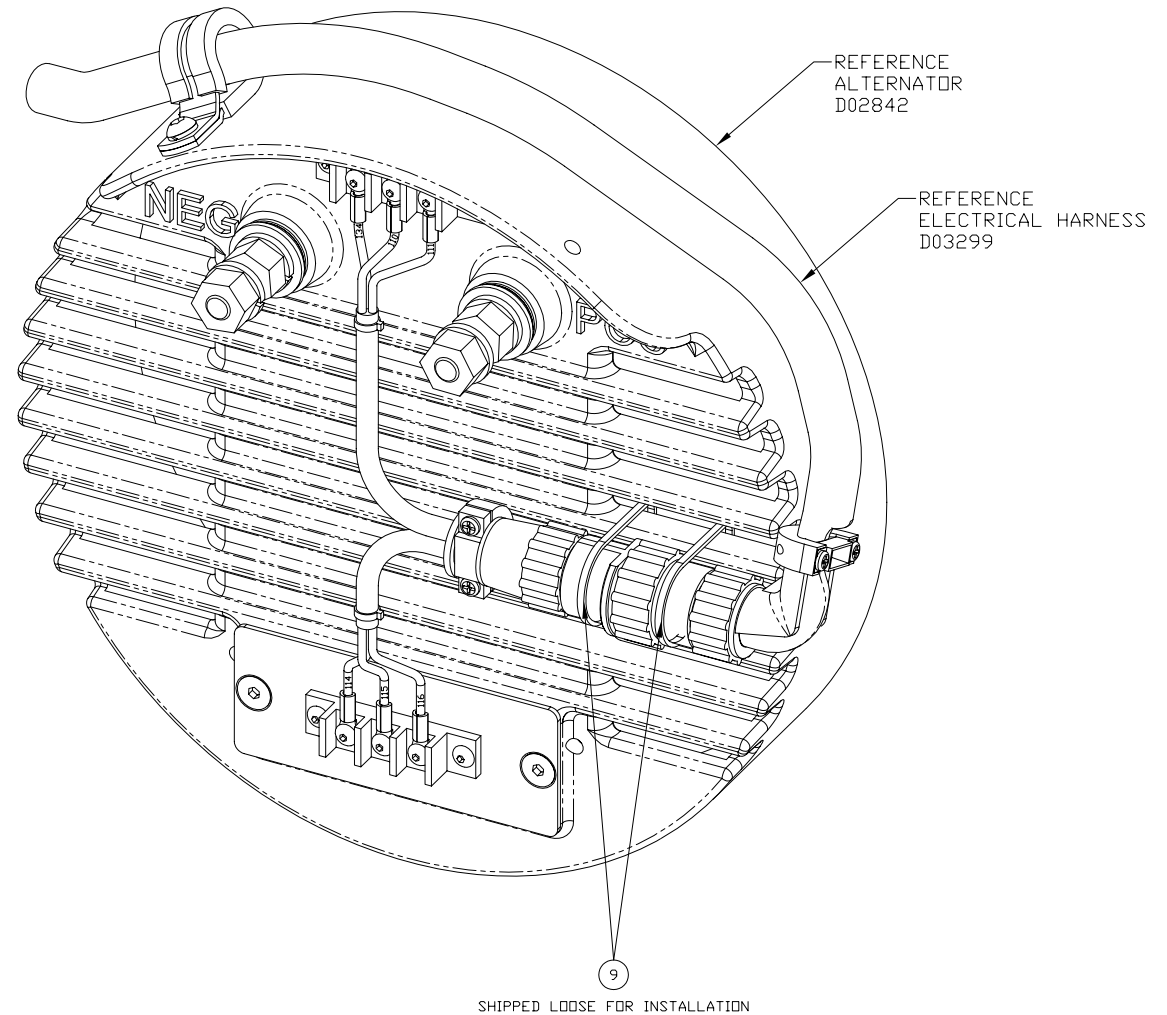


REVISIONS			
REV.	DESCRIPTION	DATE	APPROVED



7 PIN RECEPTACLE CONNECTOR
 PIN 1-114 TO TB2-1
 PIN 2-115 TO TB2-2
 PIN 3-116 TO TB2-3
 PIN 4-110 TO TB1-2
 PIN 5-111 TO TB1-3
 PIN 6-134 TO TB1-1
 PIN 7-N/A



ADAPTER HARNESS WIRE LIST

LOCATION	WIRE#	WIRE COLOR	MEMORY CODE	WIRE AWG	WIRE LENGTH	FROM	STRIP LENGTH	CONN	LUG DIR	#DIR	TO	STRIP LENGTH	CONN
3 CONDUCTOR WIRE SET 1													
TB1	110	WHT		8772	7'	PIN 4	0.200"	7 PIN RECEPTACLE 66360-2			TB1-2	0.300"	P14-6R-C
TB1	111	RED		8772	<7'	PIN 5	0.200"	7 PIN RECEPTACLE 66360-2			TB1-3	0.300"	P14-6R-C
TB1	134	BLK		8772	<7'	PIN 6	0.200"	7 PIN RECEPTACLE 66360-2			TB1-1	0.300"	P14-6R-C
3 CONDUCTOR WIRE SET 2													
TB1	114	BLK		8772	6'	PIN 1	0.200"	7 PIN RECEPTACLE 66360-2			TB2-1	0.300"	P14-6R-C
TB1	115	WHT		8772	<6'	PIN 2	0.200"	7 PIN RECEPTACLE 66360-2			TB2-2	0.300"	P14-6R-C
TB1	116	RED		8772	<6'	PIN 3	0.200"	7 PIN RECEPTACLE 66360-2			TB2-3	0.300"	P14-6R-C

10	TMS-SCE-1/8-2.0-9	WIRE MARKER, 1/8" DIA. X 13MM LONG	RAYCHEM	6
9	PLT3S-M100	11.5' NYLON CABLE TIE, BLACK	PANDUIT	2
8	SE38P-MRD	3/8" NYLON SLEEVING X 4' LONG	PANDUIT	1
7	66101-2	18-14 AWG SOCKET	AMP	6
6	211398-2	RECEPTACLE, FREE HANGING, 7 PIN ARRANGEMENT 13-7	AMP	1
5	206966-1	BACK SHELL, STRAIN RELIEF (206966-2 FOR QTY 200)	AMP	1
4	SE38P-MRD	3/8" NYLON SLEEVING X 5' LONG	PANDUIT	1
3	PLT1M-M100	3.9" NYLON CABLE TIE, BLACK	PANDUIT	2
2	8772	3C 20AWG, CABLE	BELDEN	13'
1	P14-6R-C	RING LUG, 22-18 AWG, #6 MOUNTING HOLE	PANDUIT	6

NOTES:
 1. WIRE NUMBER MARKERS TO BE PLACED AT BOTH ENDS OF WIRES.

UNLESS OTHERWISE SPECIFIED: DIMENSIONS ARE IN INCHES TOLERANCES	
DECIMALS	ANGULAR
.X ±.25	±1°
.XX ±.125	±.5
.XXX ±.05	±1
TREATMENT	
FINISH	
SIMILAR TO	

JOB NO. 21746		 MECHTRON POWER SYSTEMS			
DRAWN M.DROLET	DATE 1/04/03				
DESIGNED M.DROLET	1/04/03	TITLE WIRING HARNESS ADAPTER KIT NEW HARNESS-OLD ALTERNATOR			
CHECKED		SIZE D	FSCM NO.	DWG NO. D03452	REV. A
APPROVED		SCALE NTS	RELEASE DATE	SHEET 1 OF 1	
REFERENCE #					