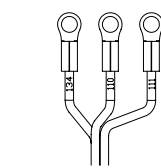
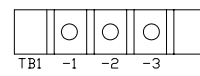
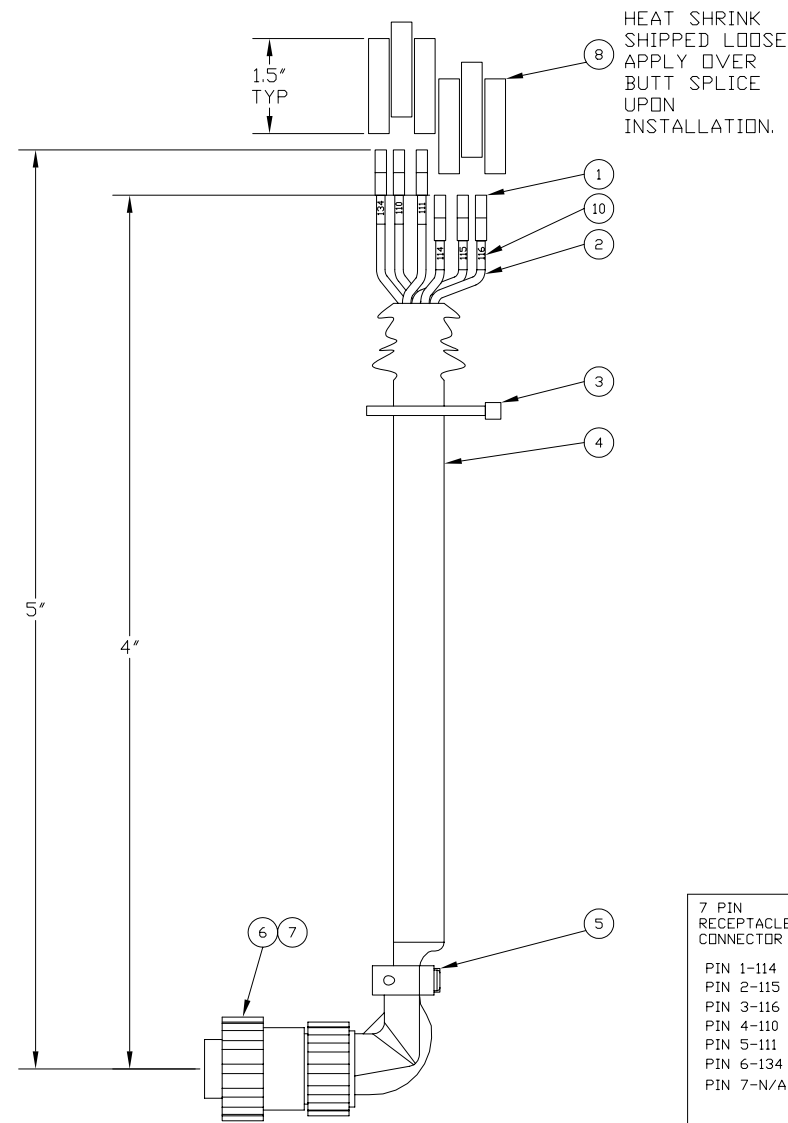
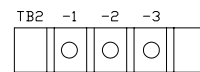
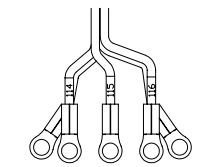


REVISIONS			
REV.	DESCRIPTION	DATE	APPROVED

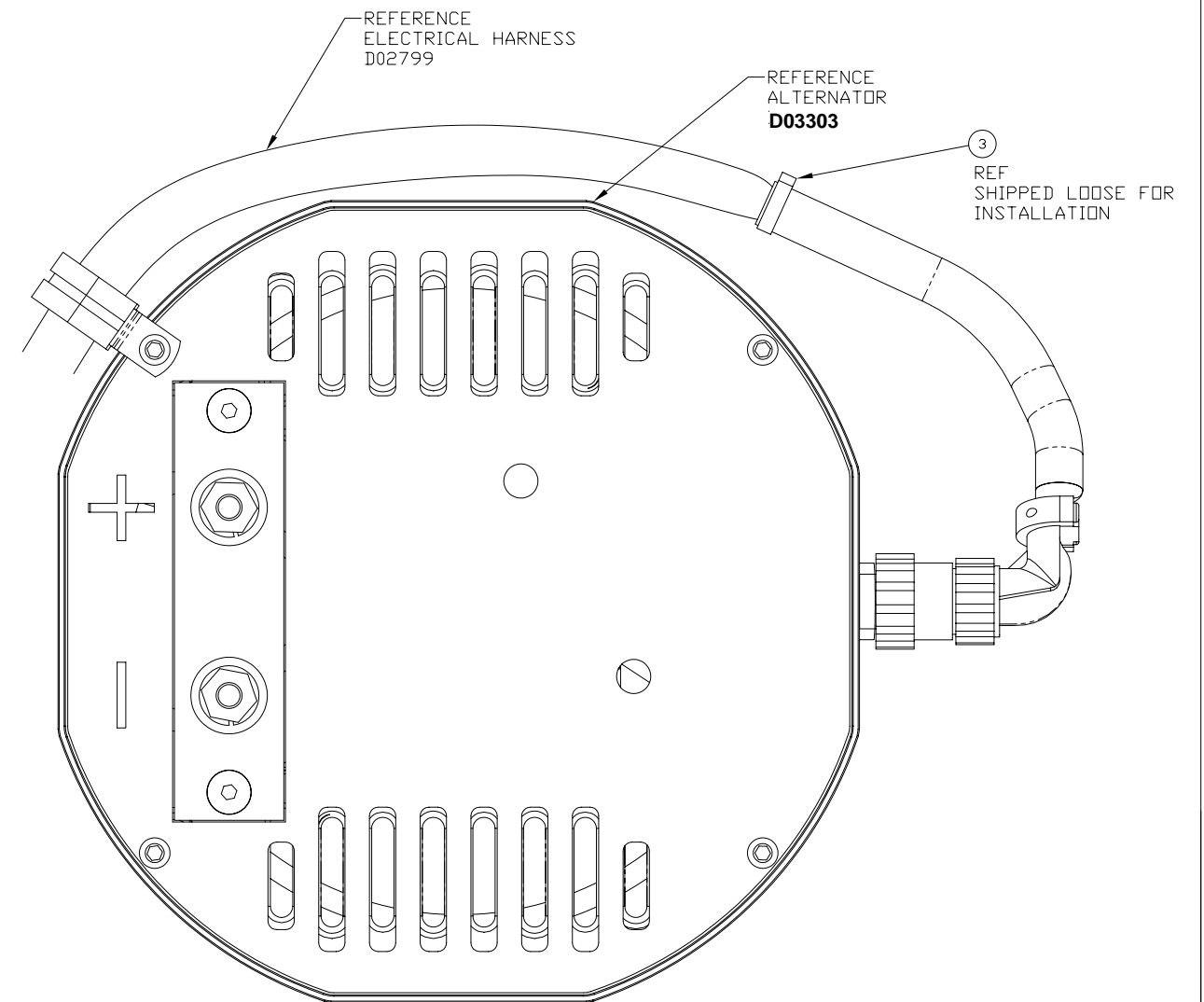


INFORMATION FROM OLD ALTERNATOR



WIRES 114 TO TB2-1  
 WIRE 115 TO TB2-2  
 WIRES 116 TO TB2-3  
 WIRE 110 TO TB1-2  
 WIRE 111 TO TB1-3  
 WIRE 134 TO TB1-1

7 PIN RECEPTACLE CONNECTOR  
 PIN 1-114  
 PIN 2-115  
 PIN 3-116  
 PIN 4-110  
 PIN 5-111  
 PIN 6-134  
 PIN 7-N/A



ADAPTER HARNESS WIRE LIST

LOCATION	WIRE#	WIRE COLOR	MEMORY CODE	WIRE AWG	WIRE LENGTH	FROM	STRIP LENGTH	CONN	LUG DIR	#DIR	TO	STRIP LENGTH	CONN
3 CONDUCTOR WIRE SET 1													
TB1	110	WHT		8772	7'	PIN 4	0.200"	7 PIN RECEPTACLE 66360-2			BUTT SPLICE	0.200"	P14-6R-C
TB1	111	RED		8772	<7'	PIN 5	0.200"	7 PIN RECEPTACLE 66360-2			BUTT SPLICE	0.200"	P14-6R-C
TB1	134	BLK		8772	<7'	PIN 6	0.200"	7 PIN RECEPTACLE 66360-2			BUTT SPLICE	0.200"	P14-6R-C
3 CONDUCTOR WIRE SET 2													
TB1	114	BLK		8772	6'	PIN 1	0.200"	7 PIN RECEPTACLE 66360-2			BUTT SPLICE	0.200"	P14-6R-C
TB1	115	WHT		8772	<6'	PIN 2	0.200"	7 PIN RECEPTACLE 66360-2			BUTT SPLICE	0.200"	P14-6R-C
TB1	116	RED		8772	<6'	PIN 3	0.200"	7 PIN RECEPTACLE 66360-2			BUTT SPLICE	0.200"	P14-6R-C

QTY	DESCRIPTION	UNIT	REVISION
10	TMS-SCE-1/8-2.0-9	WIRE MARKER, 1/8" DIA. X 13MM LONG	RAYCHEM 6
9		NOT USED	
8	FIT221-3/16-4B	3/16" HEATSHRINK, 2" LONG	ELECTROSONIC 6
7	66101-2	18-14 AWG SOCKET	AMP 6
6	211400-1	RECEPTACLE, 7 PIN ARRANGEMENT 13-7	AMP 1
5	796380-1	BACK SHELL, 90°, STRAIN RELIEF	AMP 1
4	SE38P-MRD	3/8" NYLON SLEEVING X 9" LONG	PANDUIT 1
3	PLTIM-M100	3.9" NYLON CABLE TIE, BLACK	PANDUIT 1
2	8772	3C 20AWG, CABLE	BELDEN 13'
1	BSV14-C	BUTT SPLICE, 14-16 AWG,	PANDUIT 6

NOTES:  
 1. REFER TO HARNESS DRAWING D02799 FOR CONNECTION INFORMATION.

UNLESS OTHERWISE SPECIFIED: DIMENSIONS ARE IN INCHES TOLERANCES	
DECIMALS	ANGULAR
.X ±.25	±1°
.XX ±.125	±.5
.XXX ±.05	±1
TREATMENT	
FINISH	
SIMILAR TO	

JOB NO.		DATE		TITLE	
DRAWN M.DROLET		13/05/03		WIRING HARNESS ADAPTER KIT OLD HARNESS-NEW ALTERNATOR	
DESIGNED M.DROLET		13/05/03		SIZE D	
CHECKED				FSCM NO. D03454	
APPROVED				DWG NO. D03454	
REFERENCE #				REV. A	
SCALE NTS		RELEASE DATE		SHEET 1 OF 1	

