

Soft Cab Enclosure Installation Instructions

For Kit # 70010041 (Complete)

Estimated time to install and kit is 2 hours installation time plus 32 hours cure time for the urethane sealer and the adhesive hook material.

PART 1 WINDSHIELD/SKYLIGHT KIT.

Vehicle Preparation

1. Park the vehicle in an area where the temperature will be at least 70°F (20°C). Let the vehicle stand until the vehicle's surface has attained this temperature.
2. With the steering mode in four wheel steer, turn the wheels all the way to the right.
3. Place the travel select lever in (N) NEUTRAL, then move neutral lock lever into the LOCK position. Engage the parking brake switch.
4. Raise the boom to approximately 40°.



WARNING: DO NOT get under a raised boom unless the boom is blocked up. Always block the boom before doing any servicing which requires the boom to be up.

5. Turn the engine OFF and remove the key.
6. Clean the surface of the cab openings (Figure 1,1) with a glass cleaner. DO NOT use ammonia based glass cleaner. If skylight grill (2) is excessively dirty, clean now, later will be more difficult. The skylight is a permanent installation.

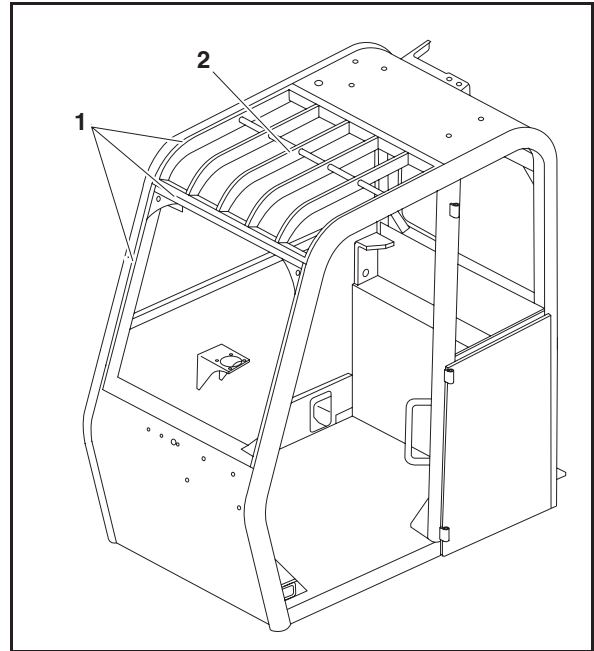
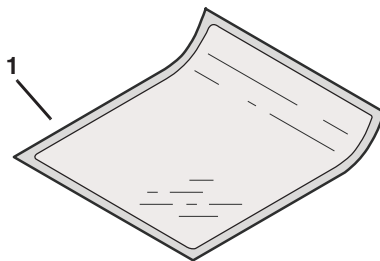


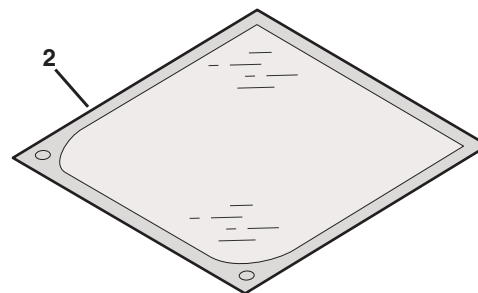
Figure 1

Windshield/Skylight Preparation

1. Lay the parts out as shown in Figure 2. Place the glass on a protective surface such as the bubble wrap packaging or cardboard. The black border on the glass should be facing up.
2. Using glass cleaner, clean the skylight glass (Figure 2, 3) and windshield (2).



SKYLIGHT



WINDSHIELD

Figure 2

Windshield Installation

1. Attach two of the setting blocks (adhesive backed) to the bottom edge of the cab opening (Figure 3, 3). These blocks will protect the bottom edge of the glass.
2. Apply a 3/8" to 1/2" (9 to 13 mm) diameter bead of urethane sealer (Figure 3, 4) around the opening.
3. Place the windshield glass in cab opening. Make sure it is centered on the opening and does not contact any cab metal. Space between the glass and the cab metal is needed for possible expansion and contraction. Press the glass firmly in to place to ensure proper bonding of the glass and sealer. Duct tape corners of the windshield to cab until urethane sealer is cure.

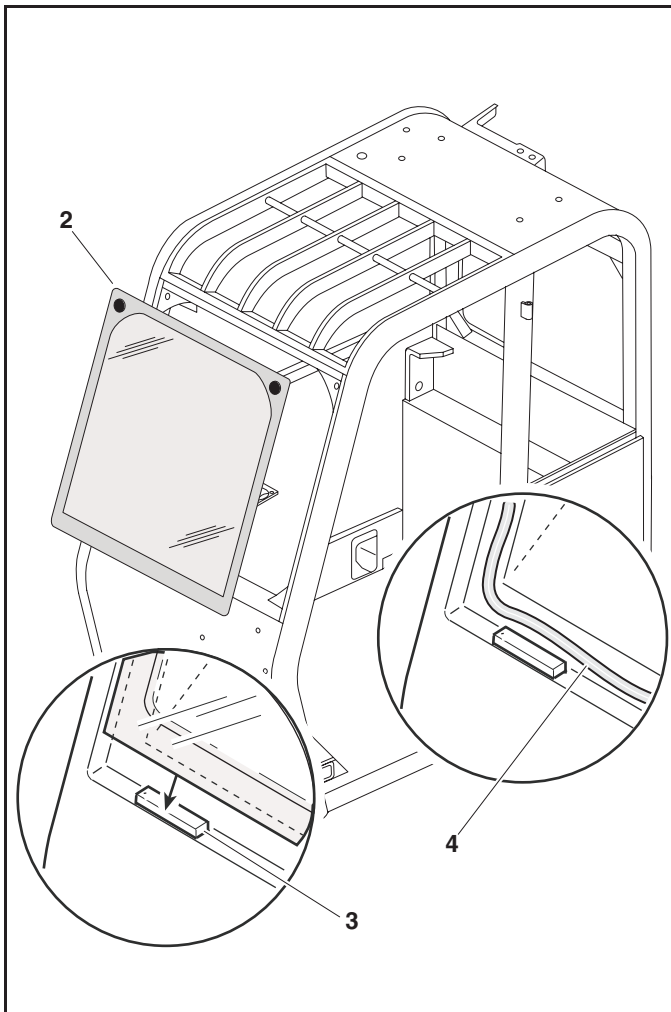


Figure 3

Skylight Installation

1. Attach four of the setting blocks around the top opening in the cab (Figure 4, 3). Place the setting blocks so they will be completely under the glass and parallel with the edge of the opening.
2. Apply a 3/8" to 1/2" (9 to 13 mm) diameter bead of urethane sealer (Figure 4, 4) around the opening and over the top of the setting blocks.
3. Place the skylight glass in the top cab opening, front edge first (Figure 4, 1). Make sure it is centered on the opening and does not contact cab metal. Space between the glass and the cab metal is needed for possible expansion and contraction. Press the glass firmly in place to ensure proper bonding of the glass and sealer. Duct tape corners of the skylight to cab until urethane sealer is cure.
4. Refrain from using the vehicle while urethane sealer is curing. Normal cure time for urethane is 24 hours at 70°F (20°C) and 50% humidity. Lower temperatures and/or lower humidity will lengthen the cure time.

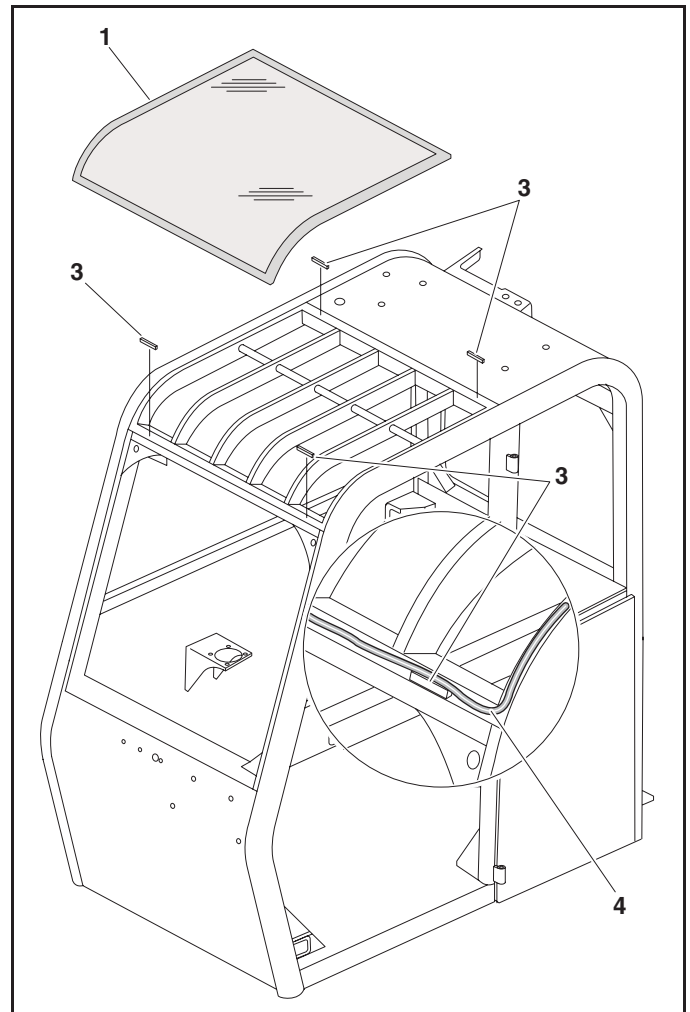
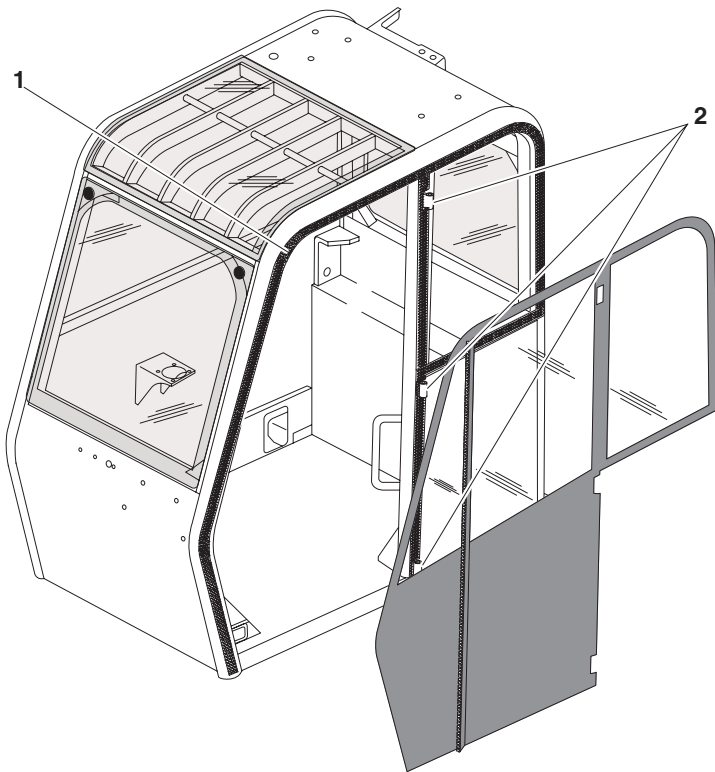


Figure 4

Vinyl Panel Installation

Note: Masking tape can be applied before velcro is attached to provide an on-cab template.

1. Use soap and water, or an alcohol-based cleaner, to clean cab door entry surfaces where velcro strips will be applied.
2. Allow surfaces to dry completely. **DO NOT** use an ammonia-based glass cleaner.
3. Apply velcro strips (1) only.
4. Cut slits or notches in velcro strips to accommodate installation around hinges in the center pillar (2).
5. Remove any masking tape and residue adhesive that may have been used to apply velcro strips.
6. Connect outer vinyl sections, right side, rear and door entry, to the applied velcro strips.



Enclosure Care and Maintenance

1. When entering or leaving the cab, make sure the zipper (3) is open far enough to allow easy entry or egress. Constant tugging on the zipper, vinyl sections and velcro can cause damage to the enclosure, over time.
2. To prevent damage to vinyl windows, always use a soft, clean cotton cloth with warm water and mild soap for cleaning.
3. Rinse the entire enclosure to loosen and remove surface dirt, before cleaning windows.

IMPORTANT: Allow soap suds and warm water to do most of the work when cleaning windows. Clear vinyl windows can be scratched as even small dirt particles are being wiped away. Use very gentle sudsing motions.

4. Never use standard window cleaners or solvents, bleach or ammonia-based cleaners to clean any part of the enclosure.

| | |
|--|--|
| | CAUTION: DO NOT transport the vehicle with the enclosure attached. Wind gusts and resultant repeated tugging could damage the enclosure. |
|--|--|

