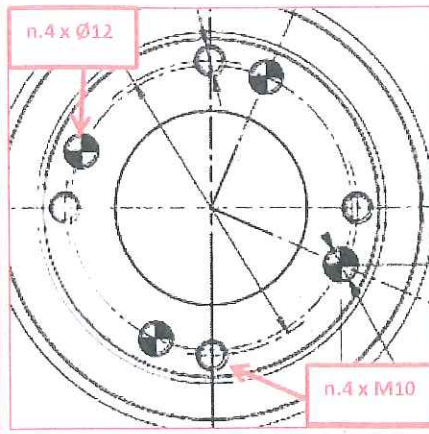
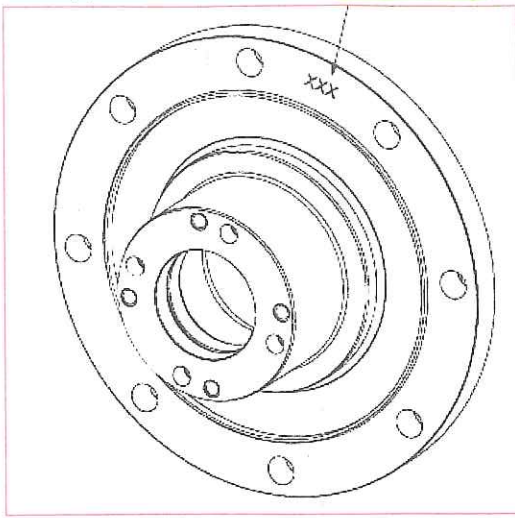
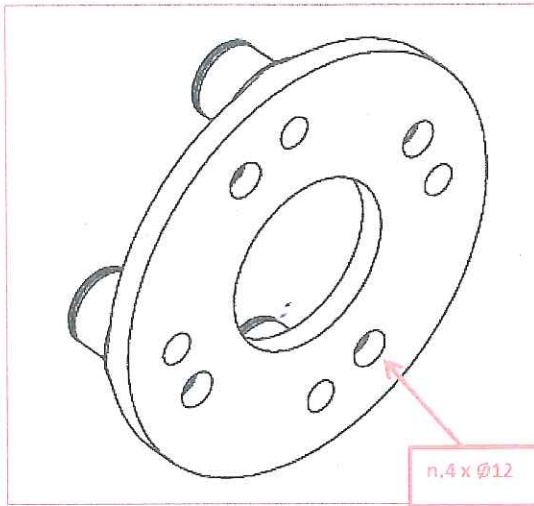


In the top part of the hub there are n.4 pin holes D.12 + n.4 thread holes M10 =

JLG pin 70005056



In the rear part of planet carrier there are n.4 pin holes Ø12: = JLG pin 70005052



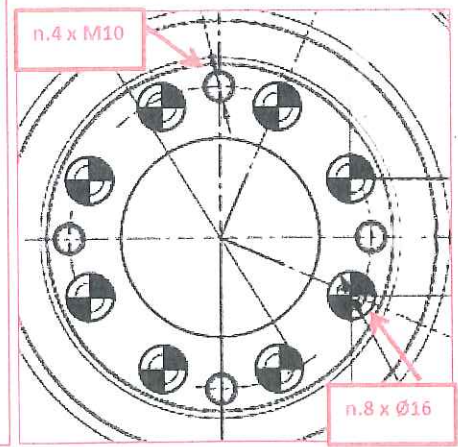
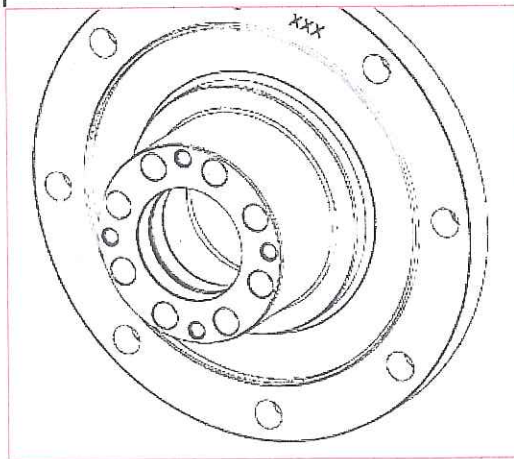
About pins the main difference is diameter and length dimensions:

Dowel pin Ø12x20 = JLG pin 70005021

Cylinder pin Ø16x30 double bevel = JLG pin 70005560

In the top part of the hub there are n.8 pin holes D.16 + n.4 thread holes M10: =

JLG pin 70005562



In the rear part of planet carrier there are n.8 pin holes Ø16: =

JLG pin 70005561

