

Document issued by:
DIECI AFTER SALE DEP.

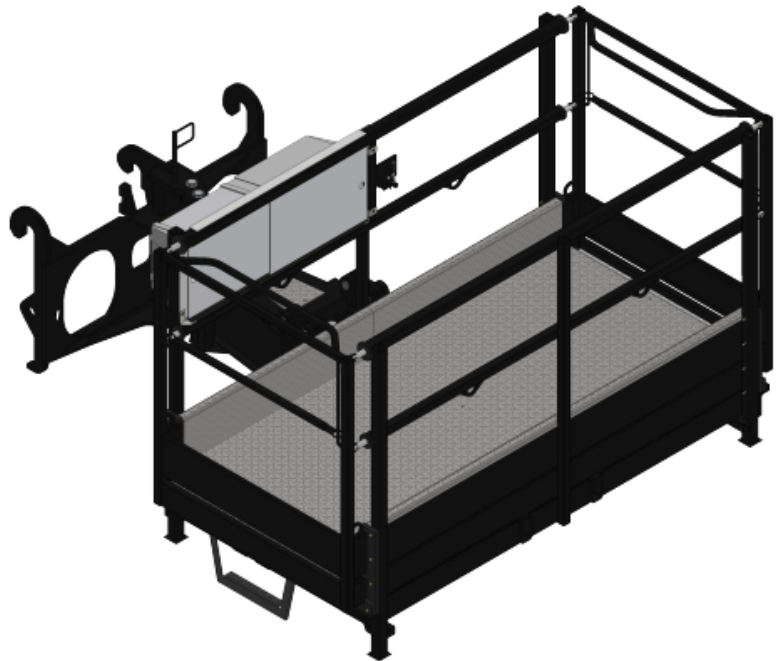
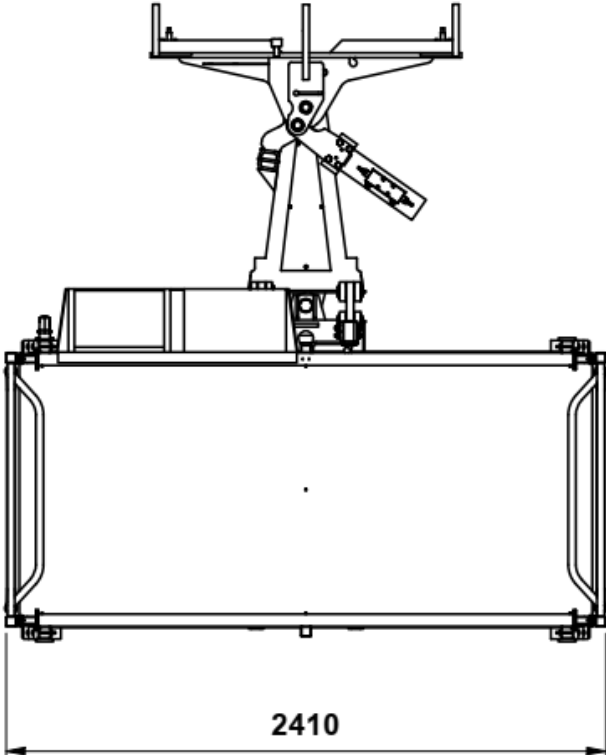
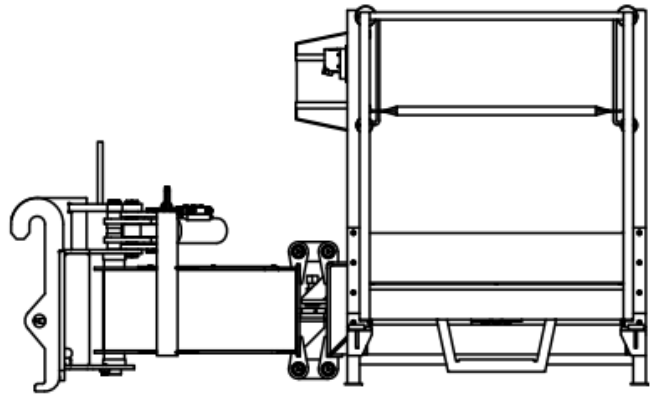
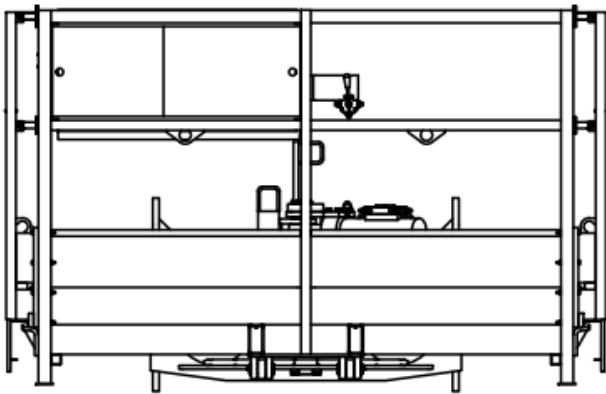
Data:
15-12-2022

Firma:
GRIGNAFFINI JUAN DAVID

OBJECT

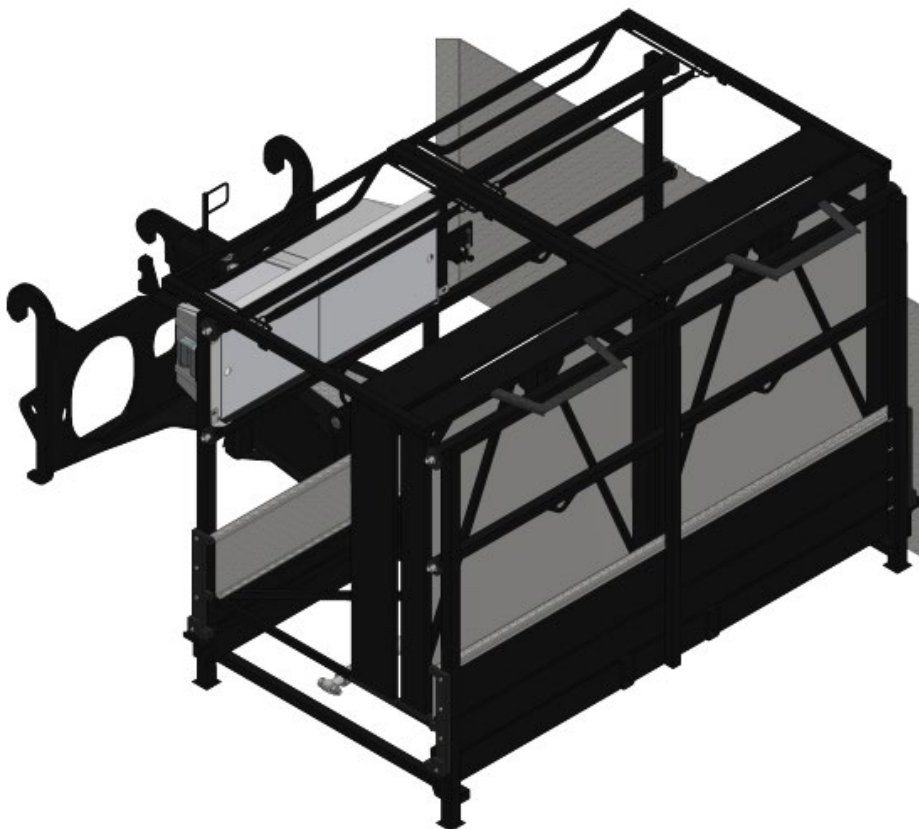
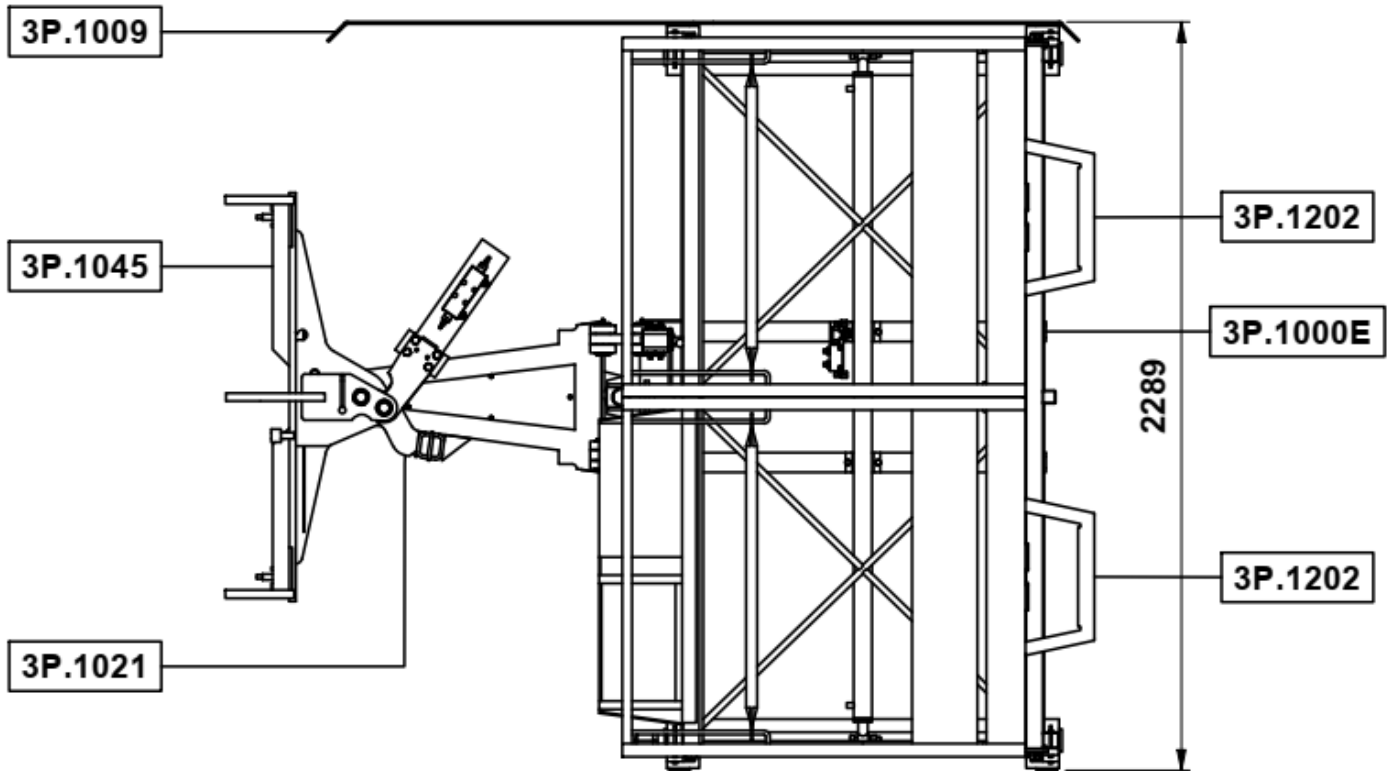
The basket, even closed (2410 mm), is too large for the container (internal width 2340 mm) for the shipping.

Purpose of this guide is to show the correct procedure for assemble the basket after shipping.



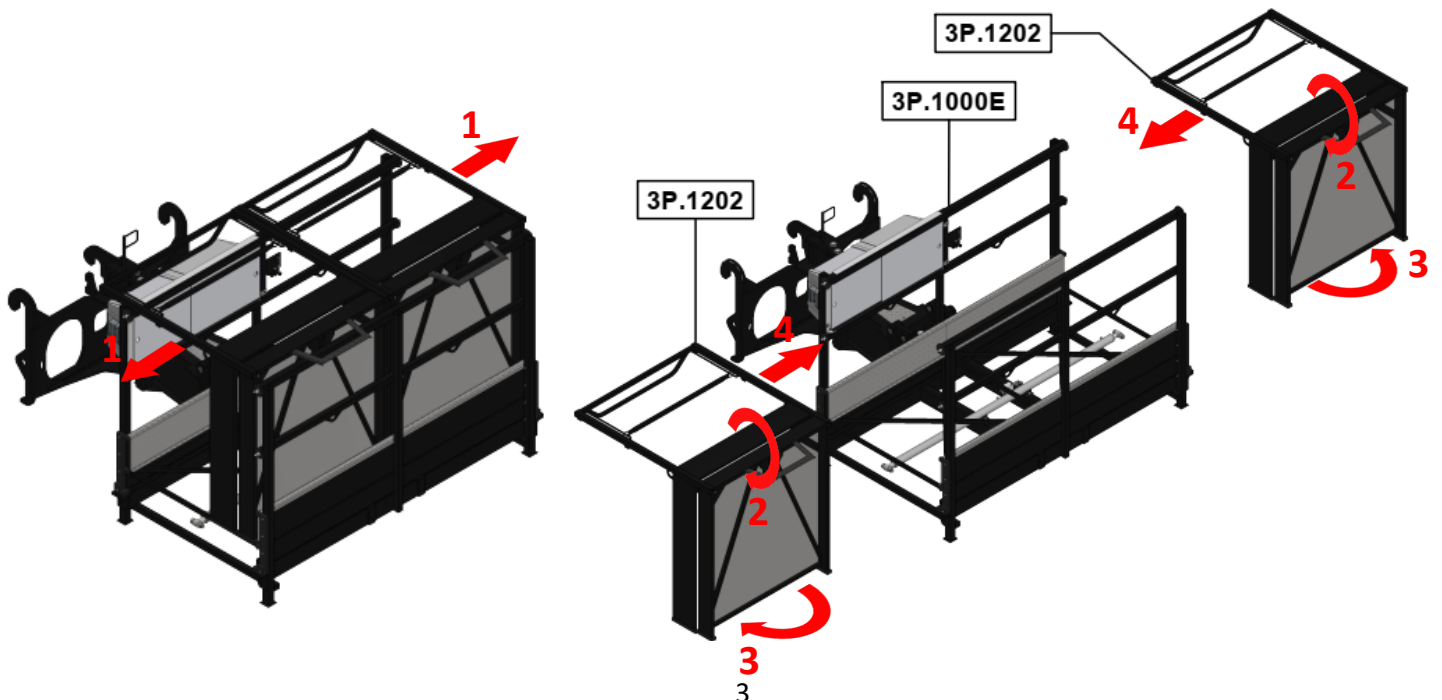
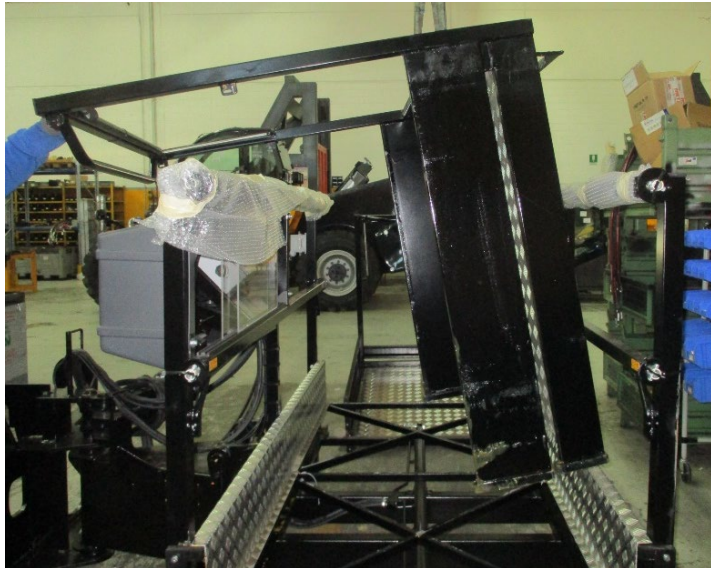
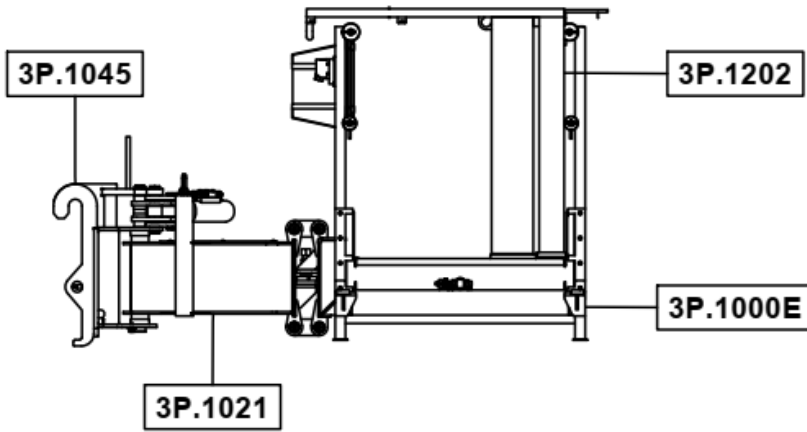
OPERATIONS**PHASE 1**

Unload the basket from the container, paying attention to first move the **platform (3P.1009)** to the side of the **fixed frame (3P.1000E)** as shown in the figure.



PHASE 2

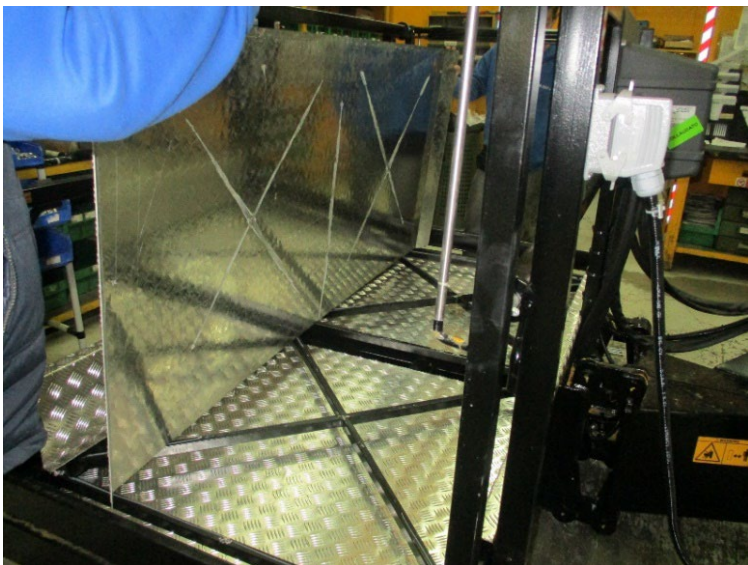
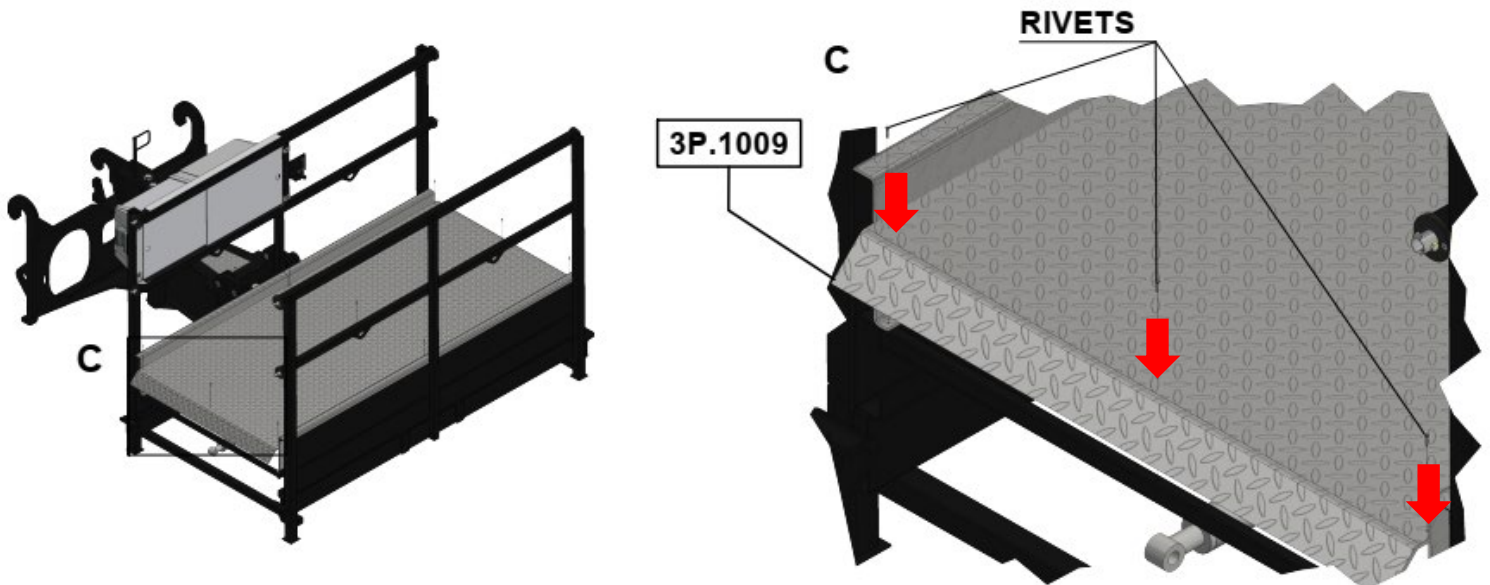
Remove the **extensible frames (3P.1202)** from the **fixed frame (3P.1000E)**, by cutting the zip ties. Lift and rotate them, orienting them in a position useful for insertion.



PHASE 3

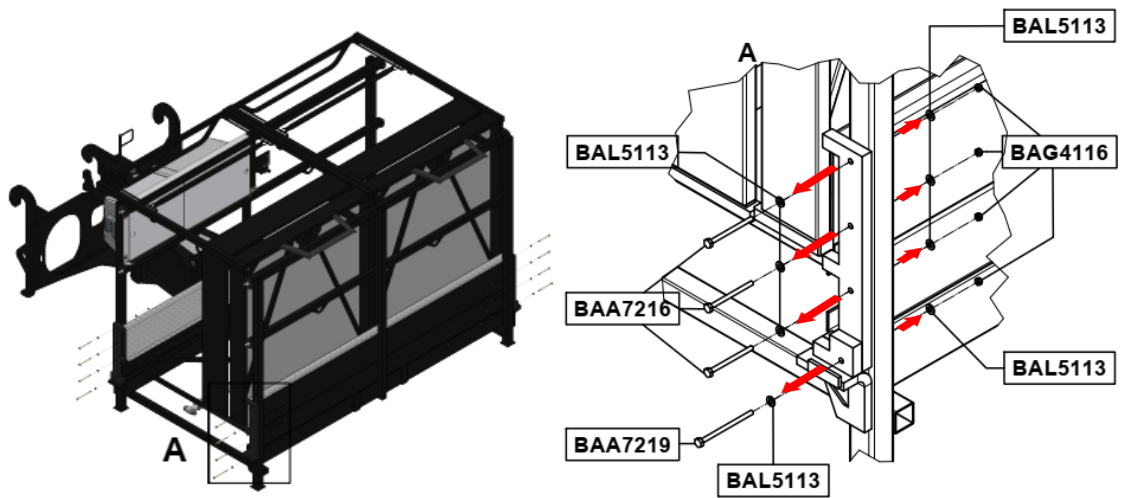
Assemble the **platform (3P.1009)** using the **rivets (CAA1431)**, supplied as spare parts, and silicone to glue the sheet metal to the tubulars in order to prevent the rivets from breaking due to the shear stresses caused by the horizontal movements of the platform.

Pay attention when repositioning the platform: turn it 180° if necessary to allow the holes on the tubulars to coincide.

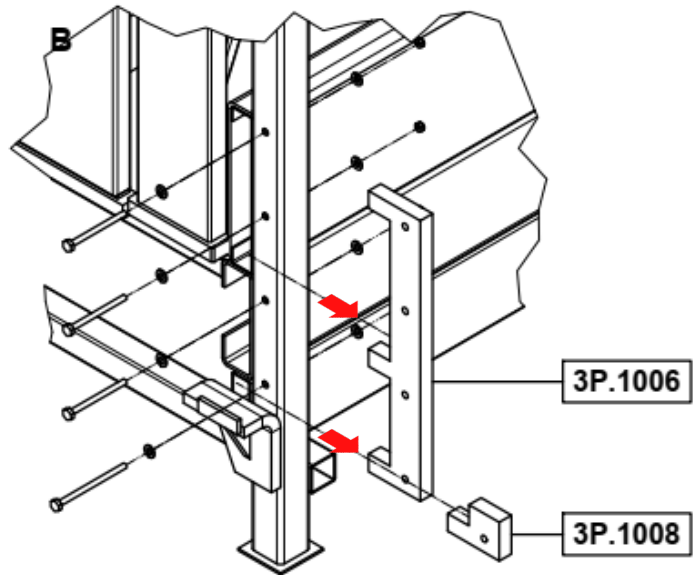
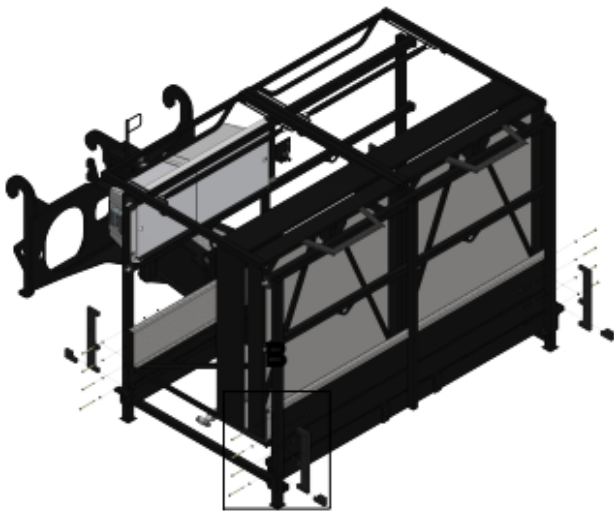


PHASE 4

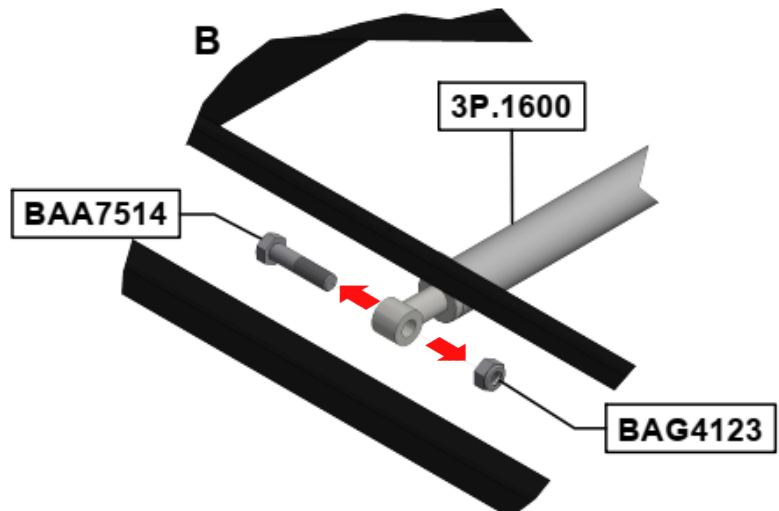
Unscrew bolted connections (BAA7216+BAL5113+BAG4116) and (BAA7219+BAL5113+BAG4116).



Remove teflon guides (3.P1006) and the reinforcing guides (3P.1008) from fixed frame (3P.1000E).

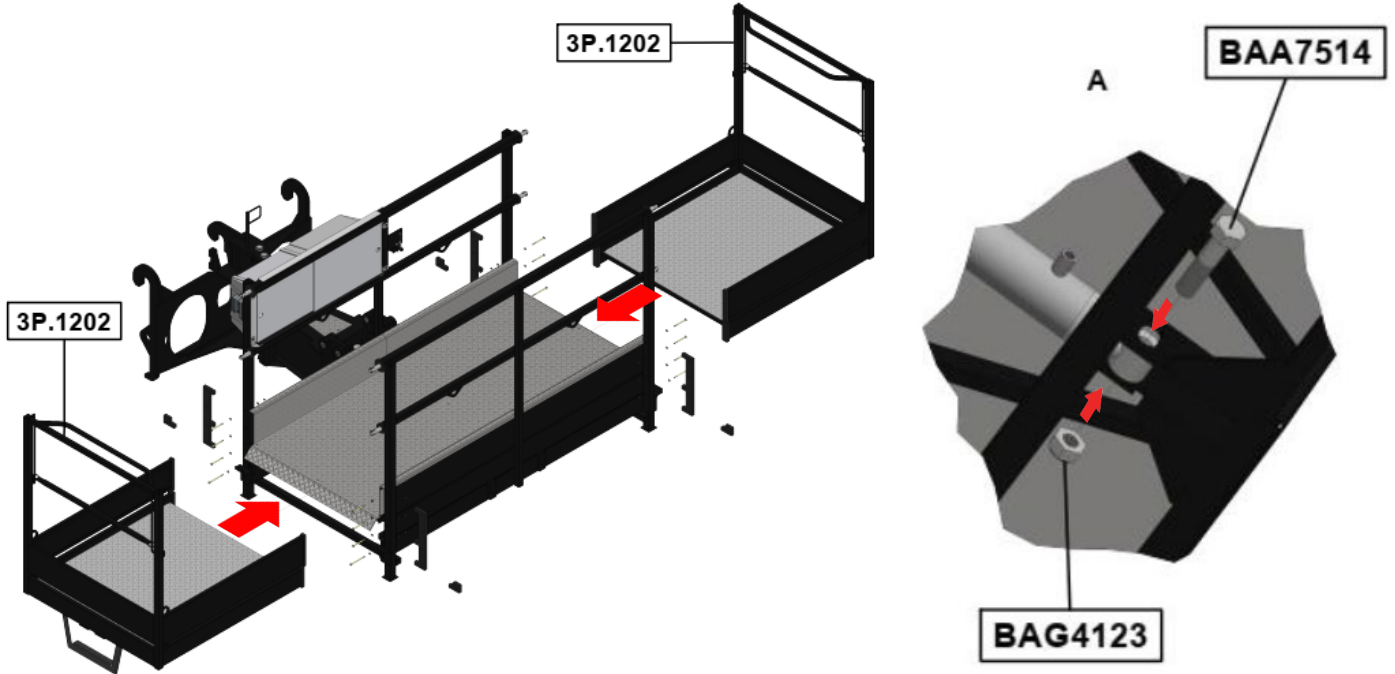


Unscrew bolted connections (BAA7514+BAG4123) from the extension cylinder (3P.1600).



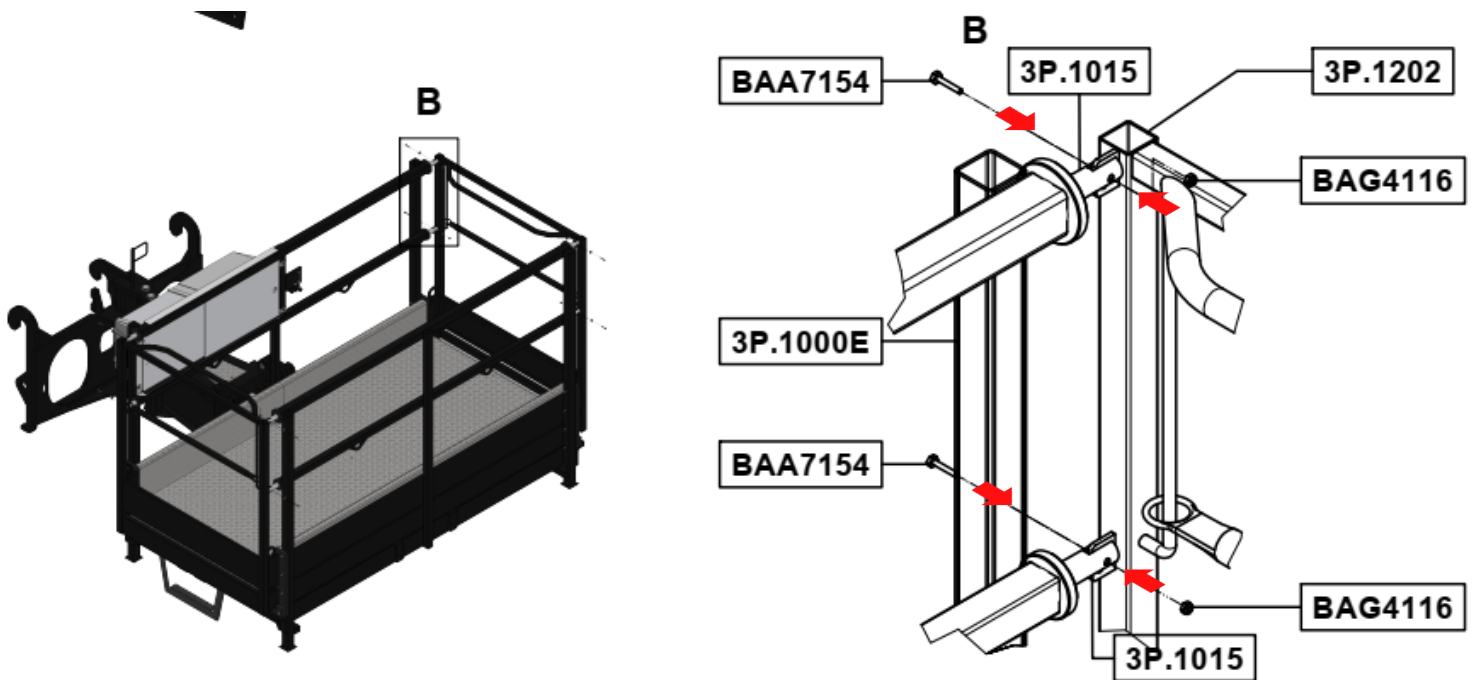
PHASE 5

Insert **extensible frames (3P.1202)** into **fixed frame (3P.1000E)** and reconnect them to **extension cylinder (3P.1600)**. Do not screw with tightening torque but only bring the nut (**BAG4123**) closer



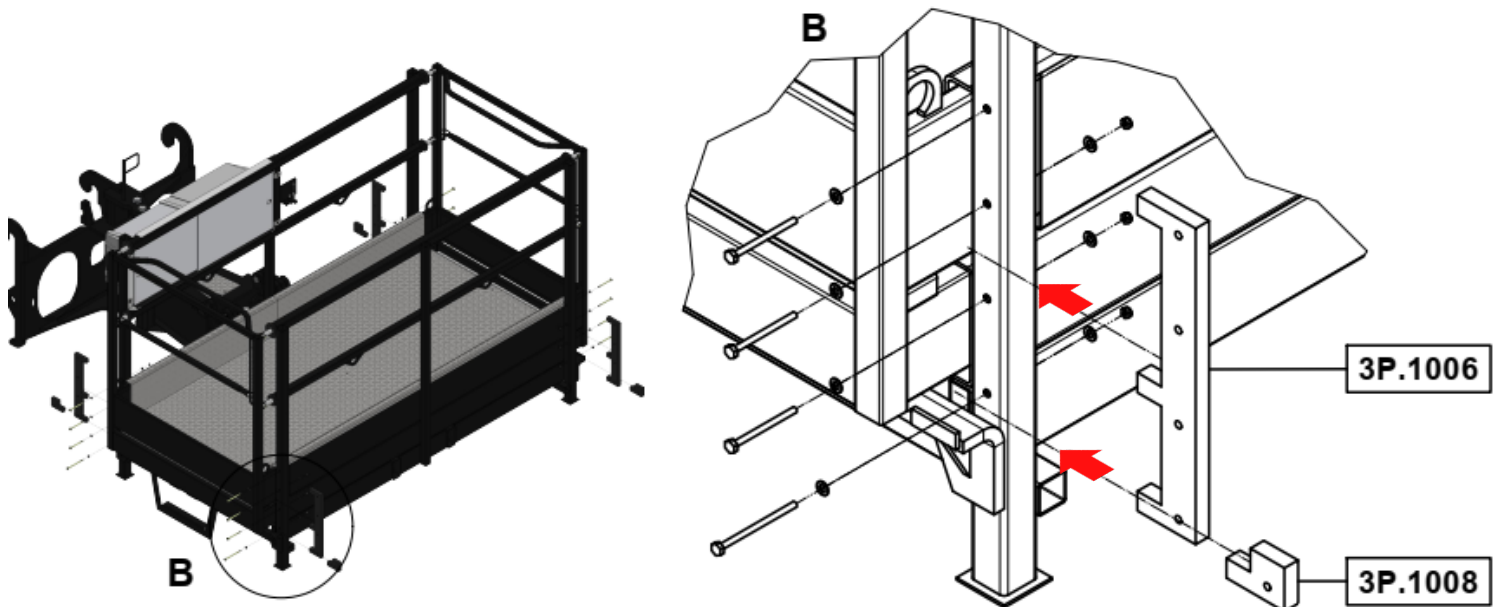
PHASE 6

Assemble **tubular guides (3P.1015)** with **extensible frames (3P.1202)** using the **bolted connections (BAA7154+BAG4116)**. Do not screw with tightening torque but only bring the nut (**BAG4116**) closer



PHASE 7

Insert **teflon guides (3.P1006)** and the **reinforcing guides (3P.1008)**.



Fix bolted connections (**BAA7216+BAL5113+BAG4116**) and (**BAA7219+BAL5113+BAG4116**) to prevent the **extensible frames (3P.1202)** from coming out. Tightening torque **10 Nm / 7.375 ft/lb**

